

## CNCR-400 without display

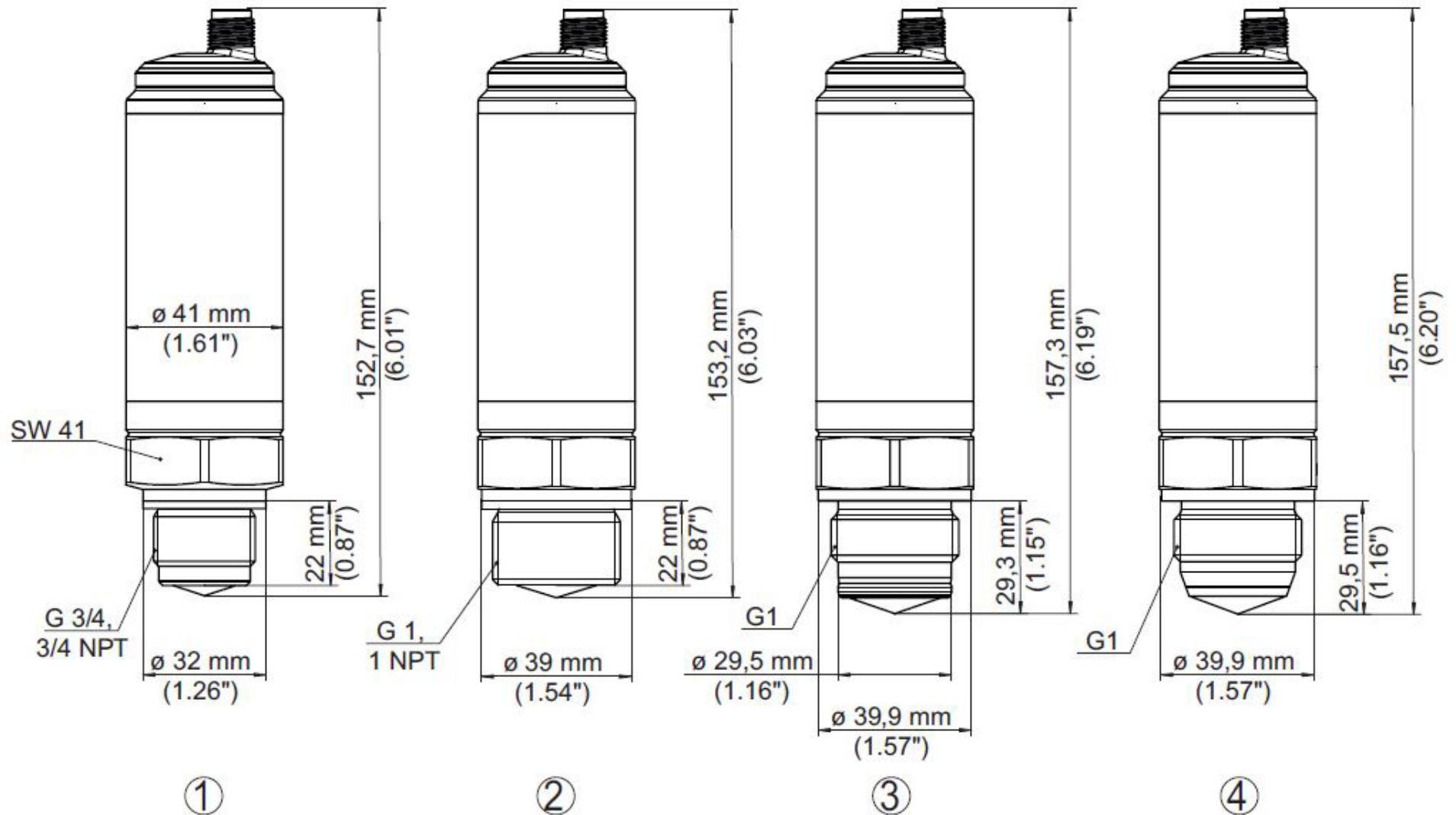


Fig. 20: Dimensions VEGAPULS 42 without display

- 1 Thread G $\frac{3}{4}$
- 2 Thread G1
- 3 Hygienic version thread G1 with O-ring
- 4 Hygienic version thread G1 with cone