

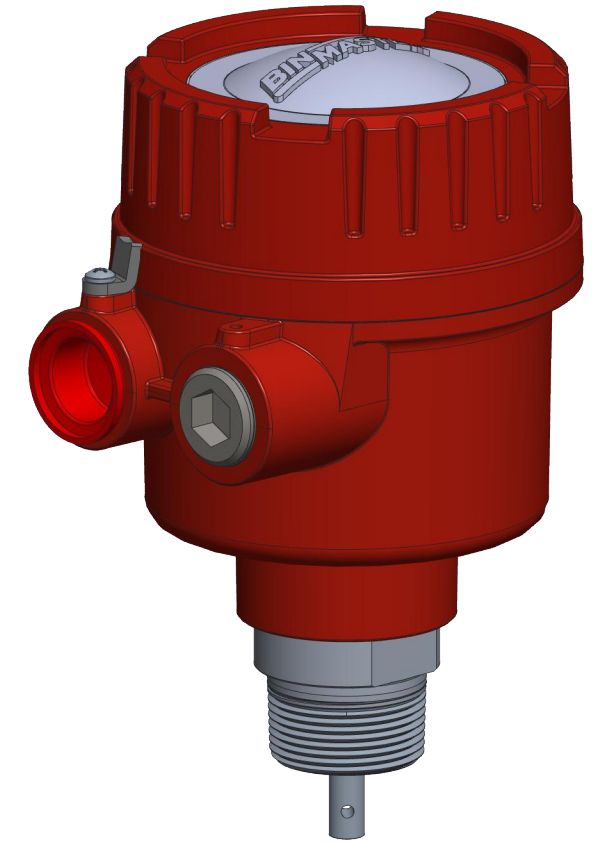
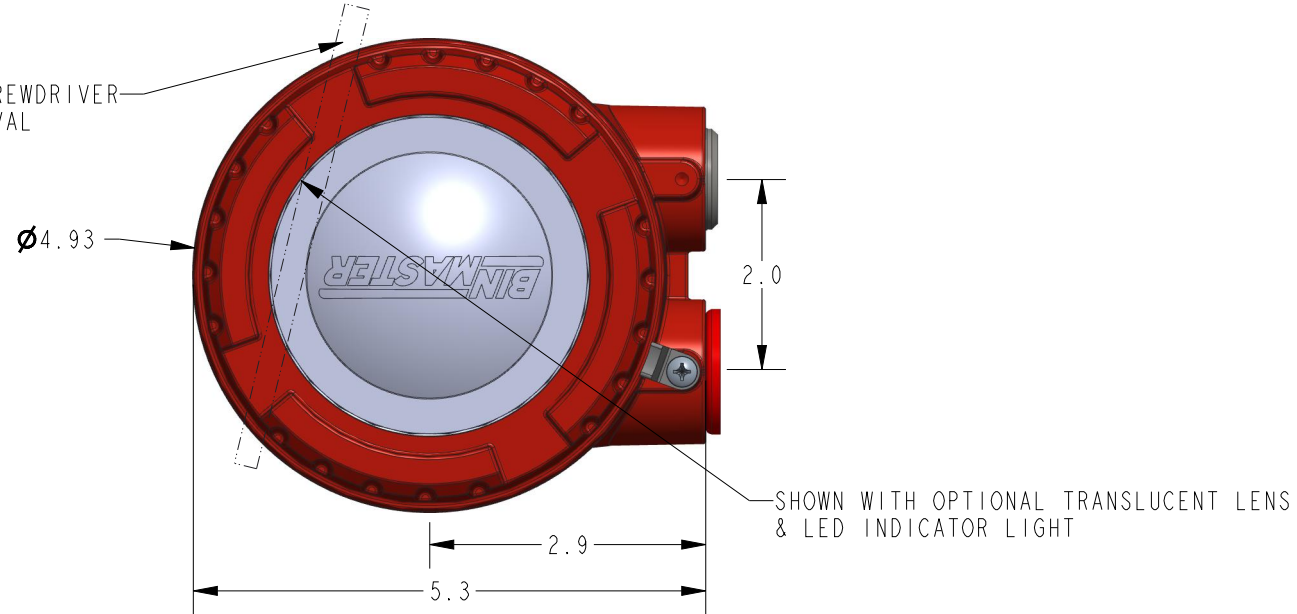
This drawing is the property of Gamer Industries. It is issued in confidence on the condition that it is to be returned on request and that it is not to be copied or reproduced in any way, or used in the manufacture of the subject matter thereof without the written consent of Gamer Industries.

DIMENSIONS ARE IN INCHES UNLESS NOTED OTHERWISE



Division of Gamer Industries / 7201 North 98th Street / Lincoln, NE 68507
(402) 434-9102 / fax (402) 434-9144 \ www.binmaster.com

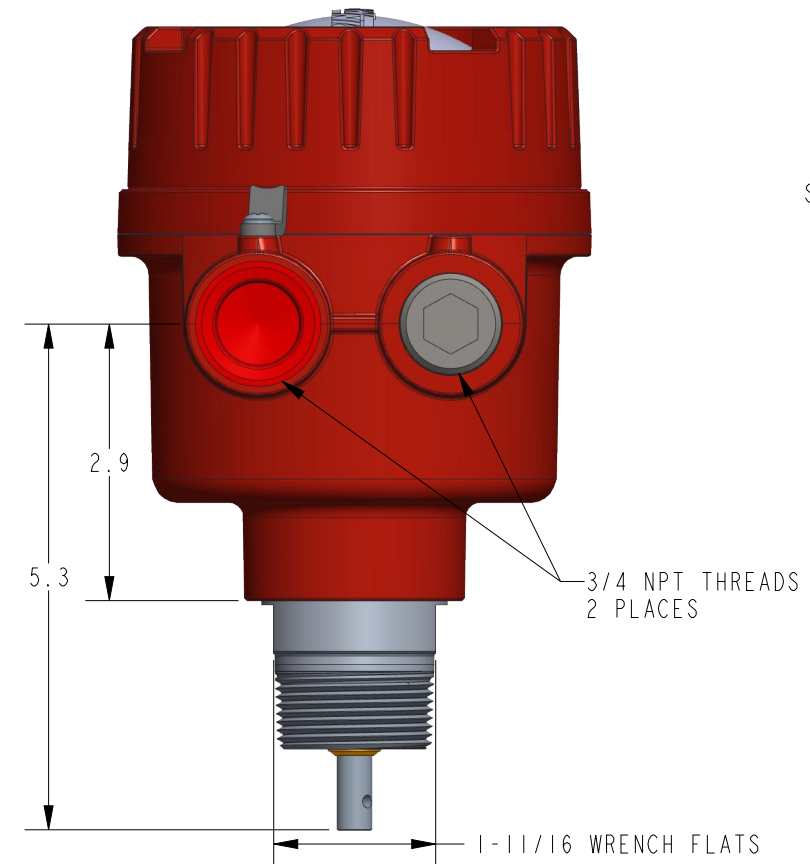
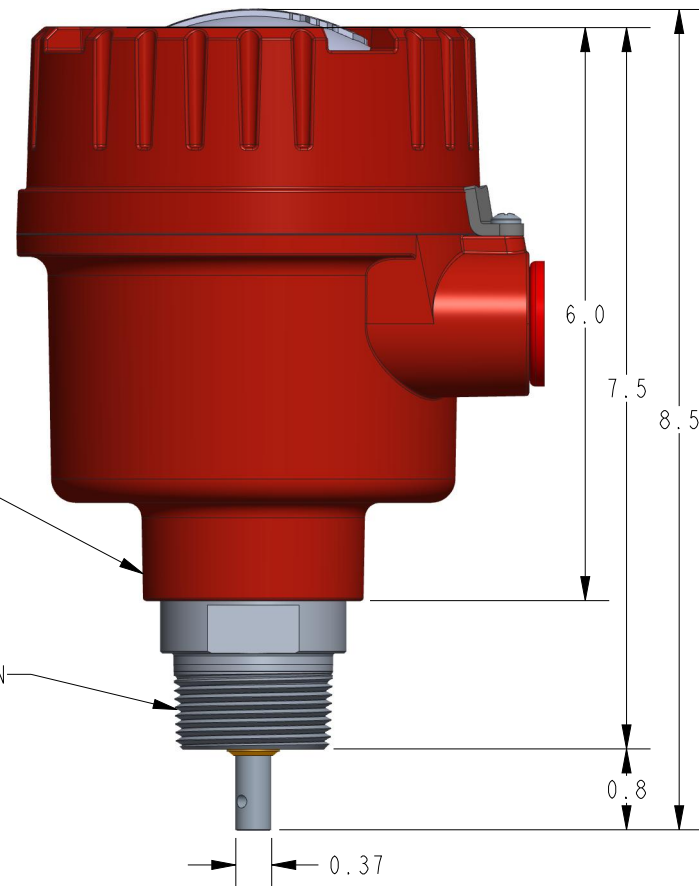
FLAT BAR OR LONG SCREWDRIVER
CAN AID IN LID REMOVAL



SCALE 0.500

ENCLOSURE BODY ROTATES INDEPENDENTLY
FROM PROCESS CONNECTION ALLOWING
CONDUIT ENTRIES TO BE POSITIONED
PROPERLY PER APPLICATION

1-1/4 OR 1-1/2" NPT PROCESS CONNECTION
IN EITHER ALUMINUM OR STAINLESS STEEL

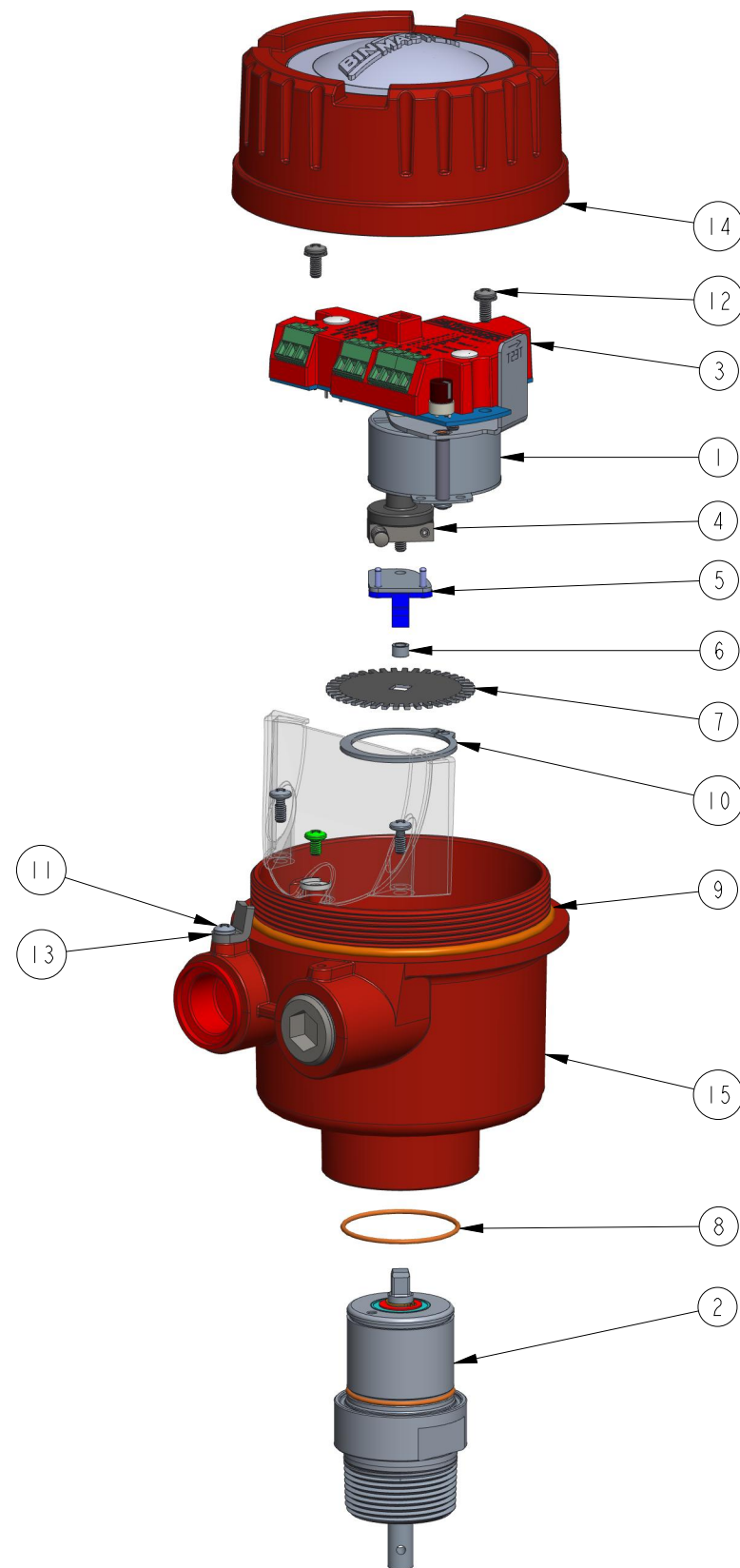


This drawing is the property of Garner Industries. It is issued in confidence on the condition that it is to be returned on request and that it is not to be copied or reproduced in any way, or used in the manufacture of the subject matter thereof without the written consent of Garner Industries.

DIMENSIONS ARE IN INCHES UNLESS NOTED OTHERWISE



Division of Garner Industries / 7201 North 98th Street / Lincoln, NE 68507
(402) 434-9102 / fax (402) 434-9144 \ www.binmaster.com



Replacement Parts List

ITEM	PART No.	DESCRIPTION	QTY.
1	350-0071	BMRX 6 VAC MOTOR	1
2	416-0785-R	ASS'Y, 1-1/4 SS ROTARY PROCESS CONNECTION	1
2	416-0803-R	ASS'Y, 1-1/2 SS ROTARY PROCESS CONNECTION	1
2	416-0804-R	ASS'Y, 1-1/4 AL ROTARY PROCESS CONNECTION	1
2	416-0805-R	ASS'Y, 1-1/2 AL ROTARY PROCESS CONNECTION	1
2	416-0806-R	ASS'Y, 1-1/4 SS ROTARY PROCESS CONNECTION W/ INTERNAL 1" NPS	1
2	416-0807-R	ASS'Y, 1-1/2 SS ROTARY PROCESS CONNECTION W/ INTERNAL 1" NPS	1
2	416-0808-R	ASS'Y, 1-1/4 AL ROTARY PROCESS CONNECTION W/ INTERNAL 1" NPS	1
2	416-0809-R	ASS'Y, 1-1/2 AL ROTARY PROCESS CONNECTION W/ INTERNAL 1" NPS	1
2	416-0817-R	ASS'Y, 1-1/4 SS FERTILIZER PROCESS CONNECTION	1
2	416-0718-R	ASS'Y, 1-1/2 SS FERTILIZER PROCESS CONNECTION	1
2	416-0825-R	ASS'Y, 2 SS TRI-CLOVER ROTARY PROCESS CONNECTION	1
2	416-0826-R	ASS'Y, 1-1/2 BSPT AL ROTARY PROCESS CONNECTION	1
3	416-0788-R	ASS'Y, BMRX-300 90-264VAC ELECTRO-MECHANICAL KIT	1
3	416-0789-R	ASS'Y, BMRX-300 12-24VDC ELECTRO-MECHANICAL KIT	1
4	416-0799	ASS'Y, ROTARY DETENT CLUTCH	1
5	416-0802	ASS'Y, ENCODER MOUNT PLATE	1
6	290-0134	SPACER, .166 ID X 1/4 OD X 5/32 LONG, AL	1
7	299-0980	TIMING WHEEL, BMRX-300 SERIES, MOLDED	1
8	203-0089	O'RING, SILICONE, #030	1
9	203-0080	O'RING, SILICONE, #244	1
10	165-0040	RING, EXTERNAL RET 1-5/16 SHAFT DIA. SS	1
11	110-0013	SCREW, PANHD 8-32 X 5/16 PHIL., SS	1
12	110-0143	SCREW, PANHD 8-32 X 3/8 PHIL. SS. SEMS	3
13	299-0679	TAB, LOCKING, PROBE ENCLOSURE	1
14	220-0480-R	ENCLOSURE, PAINTED CAP, BMRX-X00	1
14	416-0816-R	ASSY, PAINTED LENS CAP W/ LIGHT RING, BMRX-X00	1
15	220-0482	ENCLOSURE, PAINTED BODY, BMRX-X00	1

TITLE: MTG DIM, BMRX-300 SERIES ROTARY LEVEL INDICATOR

DWG No.: 418-0292

REVISION

SHEET
2 OF 2