

This drawing is the property of Gamer Industries. It is issued in confidence on the condition that it is to be returned on request and that it is not to be copied or reproduced in any way, or used in the manufacture of the subject matter thereof without the written consent of Gamer Industries.

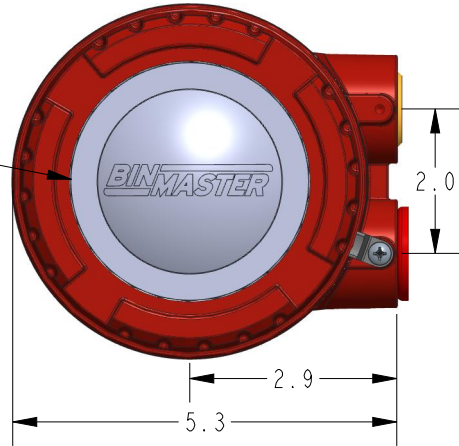
DIMENSIONS ARE IN INCHES UNLESS NOTED OTHERWISE



Division of Gamer Industries / 7201 North 98th Street / Lincoln, NE 68507  
(402) 434-9102 / fax (402) 434-9144 \ www.binmaster.com

SHOWN WITH TRANSLUCENT LENS & LED INDICATOR LIGHT

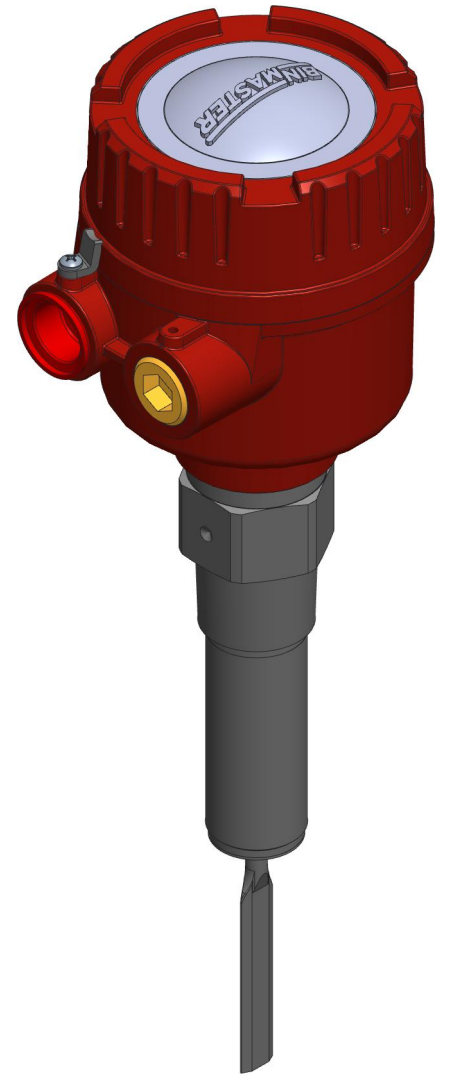
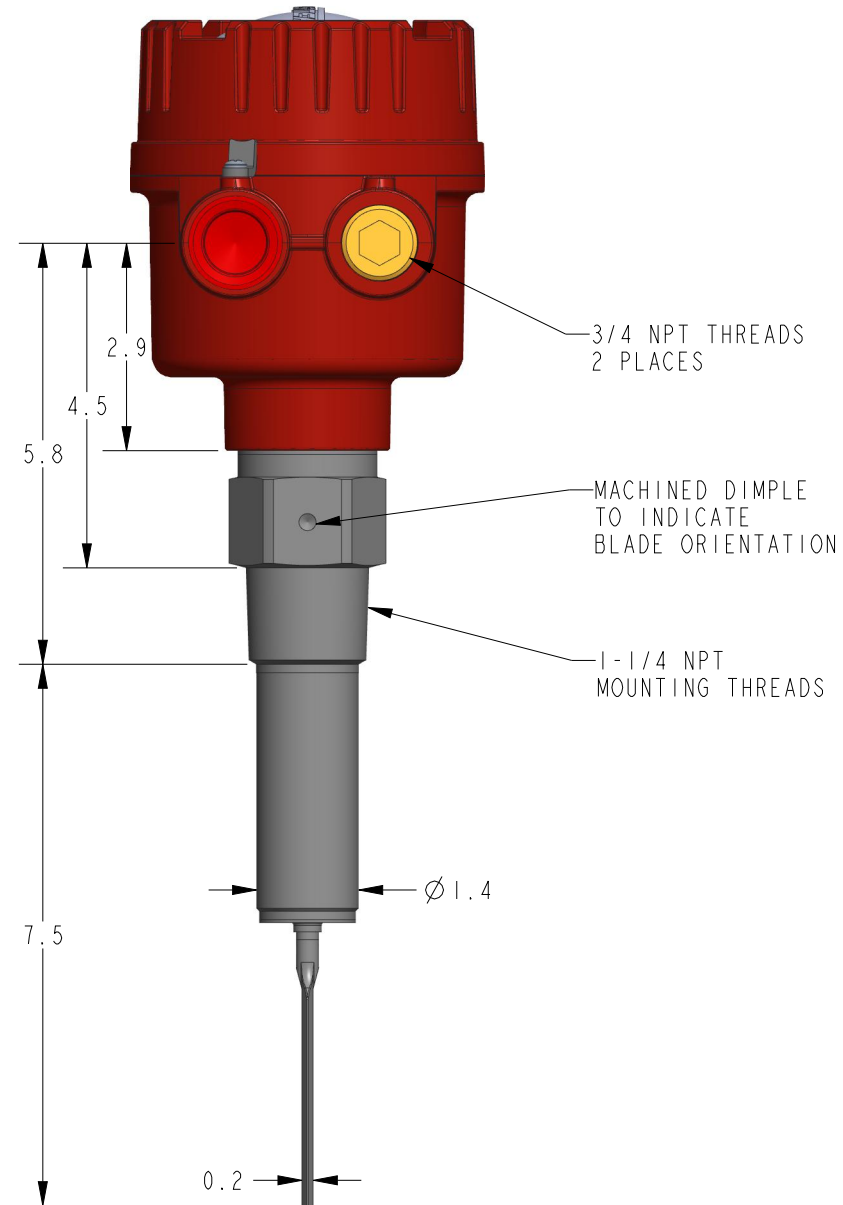
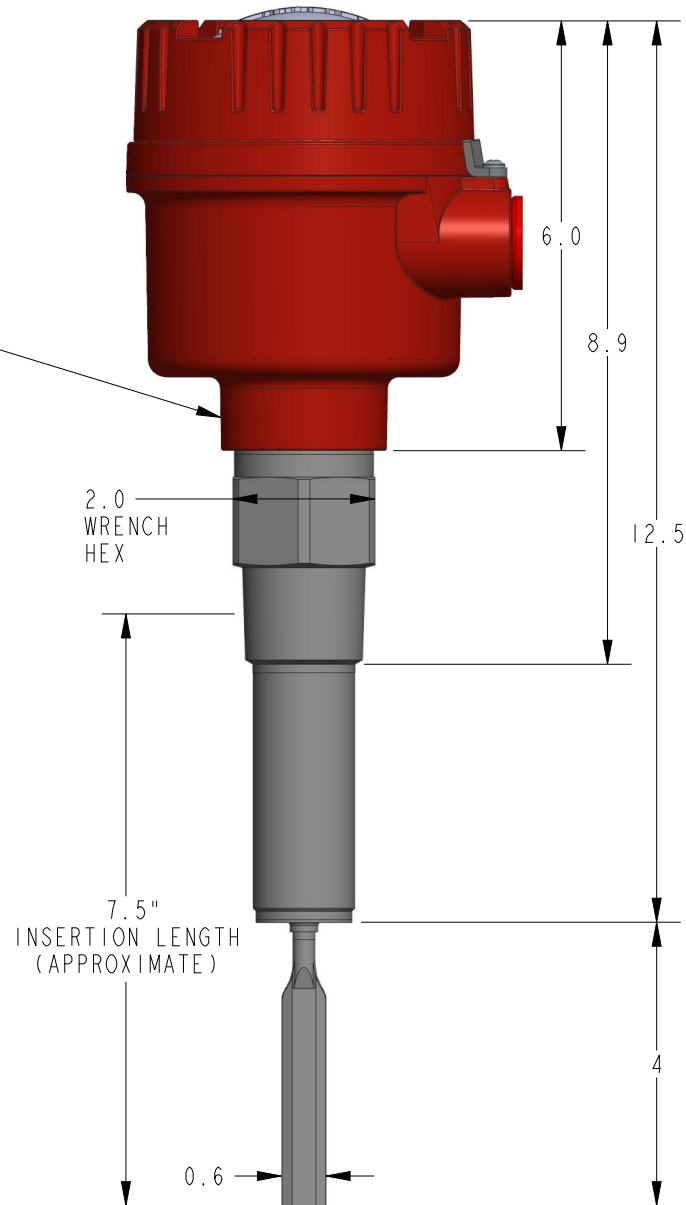
COVERED: ROTATING GREEN LED's  
UNCOVERED: SOLID RED LED's



SHOWN WITH 1-1/4 NPT PROBE

NOTE: REMOTE ELECTRONICS, SEDIMENT & HIGH TEMP. VERSIONS ARE ALSO AVAILABLE

ENCLOSURE BODY ROTATES 270° INDEPENDENTLY FROM VIBRATING ROD ALLOWING CONDUIT ENTRIES TO BE POSITIONED PROPERLY PER APPLICATION



This drawing is the property of Gamer Industries. It is issued in confidence on the condition that it is to be returned on request and that it is not to be copied or reproduced in any way, or used in the manufacture of the subject matter thereof without the written consent of Gamer Industries.

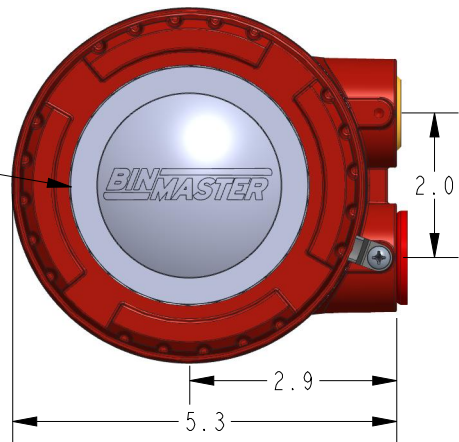
DIMENSIONS ARE IN INCHES UNLESS NOTED OTHERWISE



Division of Gamer Industries / 7201 North 98th Street / Lincoln, NE 68507  
(402) 434-9102 / fax (402) 434-9144 \ www.binmaster.com

SHOWN WITH TRANSLUCENT LENS & LED INDICATOR LIGHT

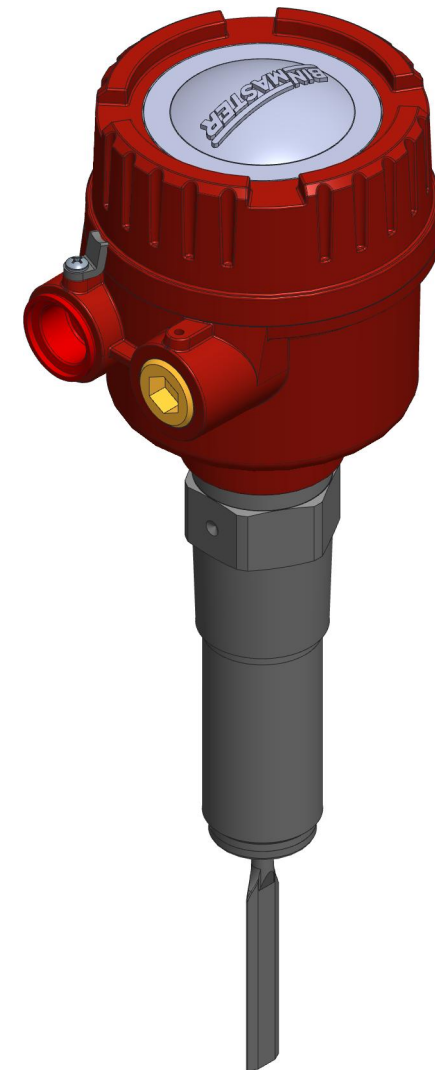
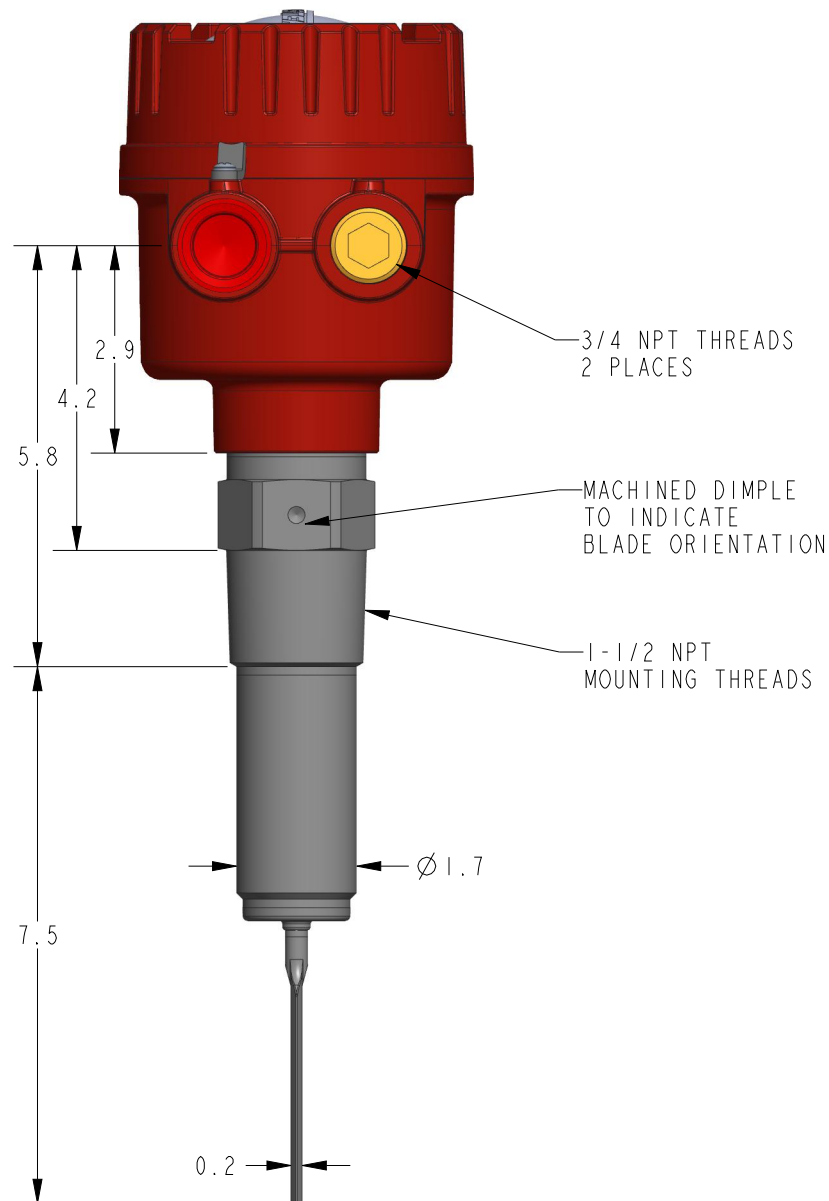
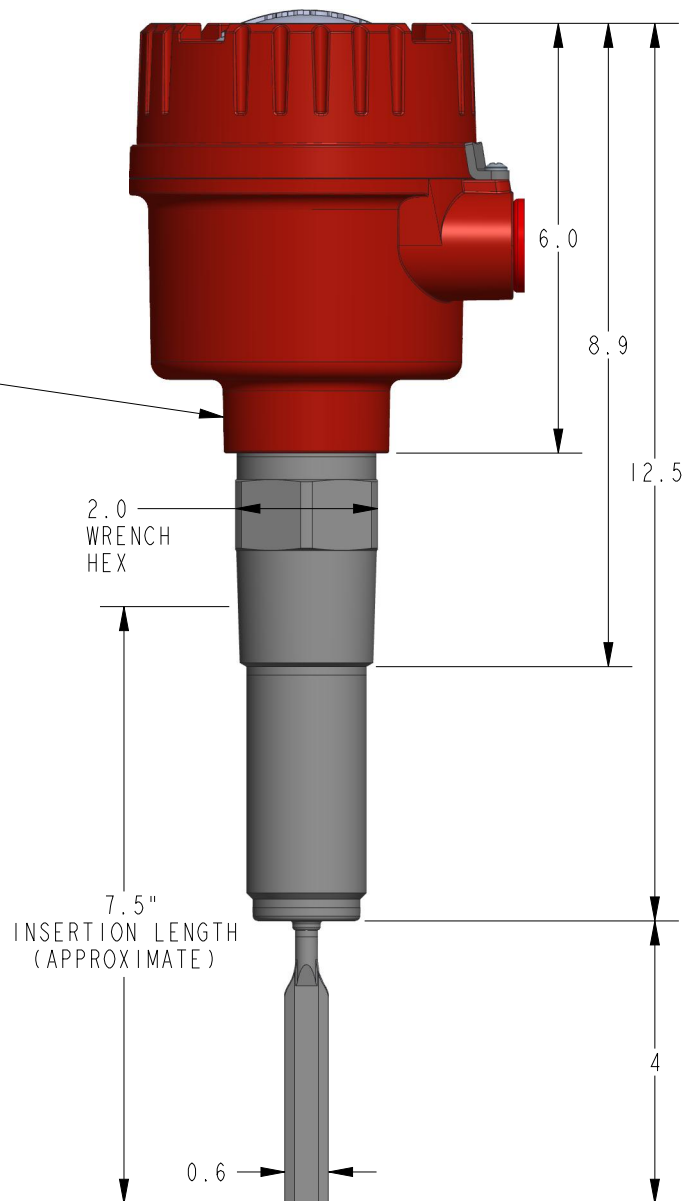
COVERED: ROTATING GREEN LED's  
UNCOVERED: SOLID RED LED's



SHOWN WITH 1-1/2 NPT PROBE

NOTE: REMOTE ELECTRONICS, SEDIMENT & HIGH TEMP. VERSIONS ARE ALSO AVAILABLE

ENCLOSURE BODY ROTATES 270° INDEPENDENTLY FROM VIBRATING ROD ALLOWING CONDUIT ENTRIES TO BE POSITIONED PROPERLY PER APPLICATION

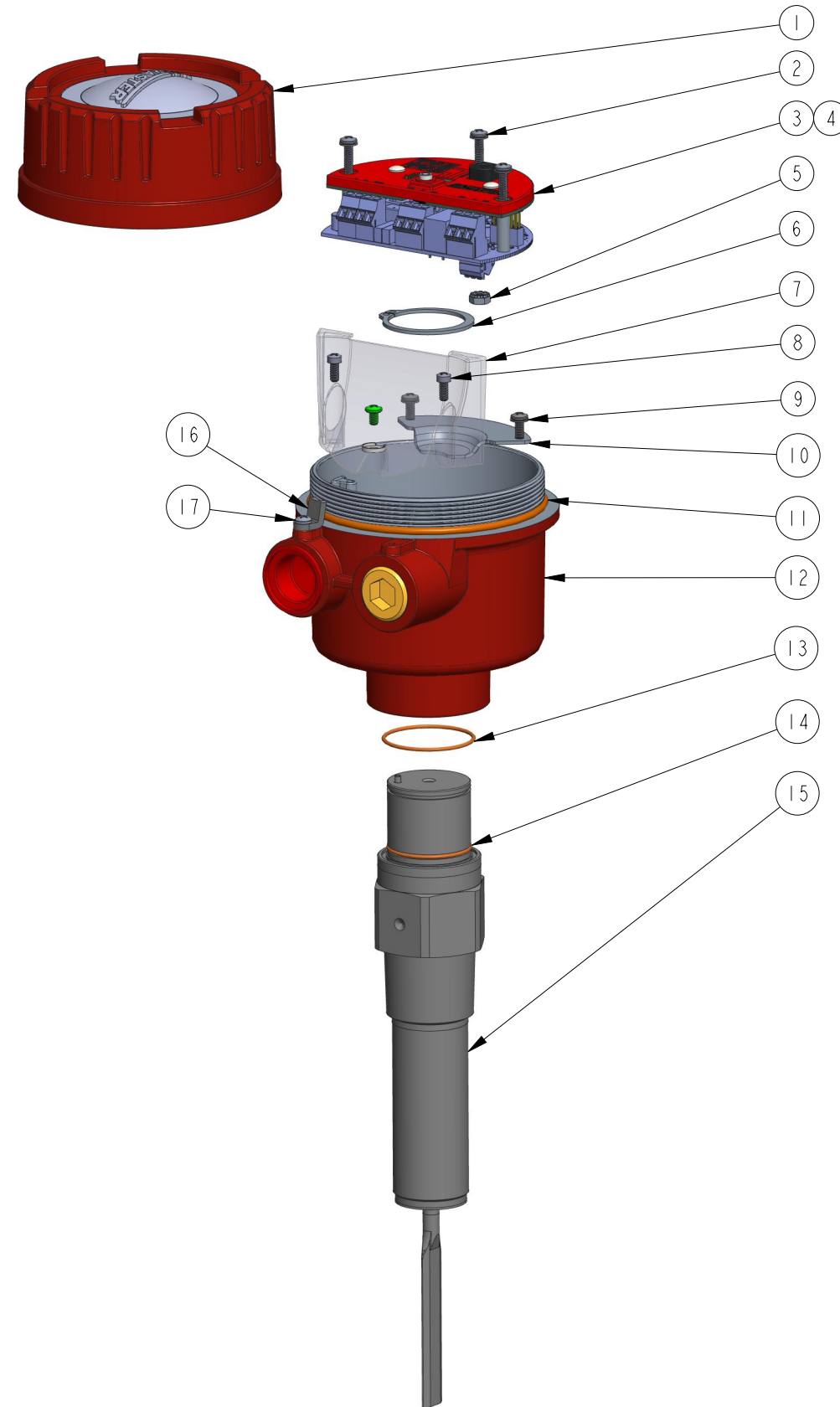


This drawing is the property of Garner Industries. It is issued in confidence on the condition that it is to be returned on request and that it is not to be copied or reproduced in any way, or used in the manufacture of the subject matter thereof without the written consent of Garner Industries.

DIMENSIONS ARE IN INCHES UNLESS NOTED OTHERWISE



Division of Garner Industries / 7201 North 98th Street / Lincoln, NE 68507  
(402) 434-9102 / fax (402) 434-9144 \ www.binmaster.com



### Replacement Parts List

ITEM	PART No.	DESCRIPTION	QTY.
1	419-0816-R	ASSY, LIGHT RING LID	1
1	220-0480-R	ENCLOSURE, PAINTED CAP, BMRX-X00	1
2	110-0145	SCREW, PANHD 8-32 X 1-1/4 PHIL. SS. SEMS	3
3	530-0952-R	PCB ASSEMBLY 110-230VAC VRX STD/SED	1
3	530-0953-R	PCB ASSEMBLY 24VDC VRX STD/SED	1
3	530-0954-R	PCB ASSEMBLY 110-220VAC VRX HT	1
3	530-0955-R	PCB ASSEMBLY 24VDC VRX HT	1
4	416-0832-R	VRX LIGHT RING PCB COVER SUB-ASSEMBLY	1
5	140-0020	NUT, HEX KEPS 8-32 STNLS STL	1
6	165-0040	RING, EXTERNAL RET 1-9/16 SHAFT DIA. SS	1
7	299-0978	DIVIDER, ENCLOSURE WIRE GUIDE	1
8	110-0146	SCR, FILLISTER HD 8-32 X 3/8 PHIL. SS	2
9	110-0143	SCR, PANHD 8-32 X 3/8 PHIL. SS. SEMS	2
10	270-0765	PLATE, ROTATIONAL STOP	1
11	203-0080	O'RING, .139 CORD X 4.234 I.D. , SILICONE, #244	1
12	220-0482-R	ENCLOSURE, PAINTED BODY, BMRX-X00	1
13	203-0089	O'RING, .070 CORD, 1.614 ID X 1.754 OD, SILICONE, #030	1
14	203-0088	O'RING, .070 CORD, 1.364 ID X 1.504 OD, SILICONE, #028	1
15	530-0933-R	VRX-21, VIBRATING ROD 1-1/4 NPT PROBE	1
15	530-0934-R	VRX-21, VIBRATING ROD 1-1/2 NPT PROBE	1
15	530-0935-R	VRX-21, HIGH TEMP. VIB. ROD 1-1/4 NPT PROBE	1
15	530-0936-R	VRX-21, HIGH TEMP. VIB. ROD 1-1/2 NPT PROBE	1
15	530-0937-R	VRX-21, VIB. ROD 1-1/4 NPT SED. PROBE	1
15	530-0938-R	VRX-21, VIB. ROD 1-1/2 NPT SED. PROBE	1
16	299-0679	TAB, LOCKING, ENCLOSURE	1
17	110-0013	SCREW, PANHD 8-32X5/16 PHIL. SS	1