

This drawing is the property of Garner Industries. It is issued in confidence on the condition that it is to be returned on request and that it is not to be copied or reproduced in any way, or used in the manufacture of the subject matter thereof without the written consent of Garner Industries.

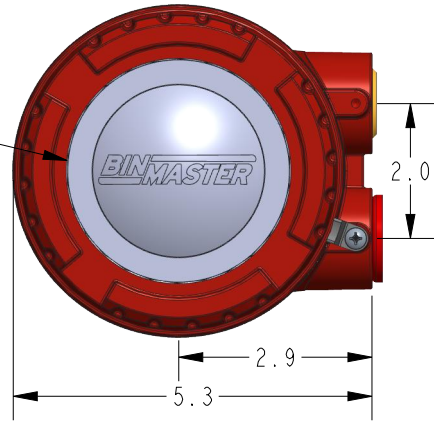
DIMENSIONS ARE IN INCHES UNLESS NOTED OTHERWISE



Division of Garner Industries / 7201 North 98th Street / Lincoln, NE 68507
(402) 434-9102 / fax (402) 434-9144 \ www.binmaster.com

SHOWN WITH TRANSLUCENT LENS & LED INDICATOR LIGHT

COVERED: ROTATING GREEN LED's
UNCOVERED: SOLID RED LED's

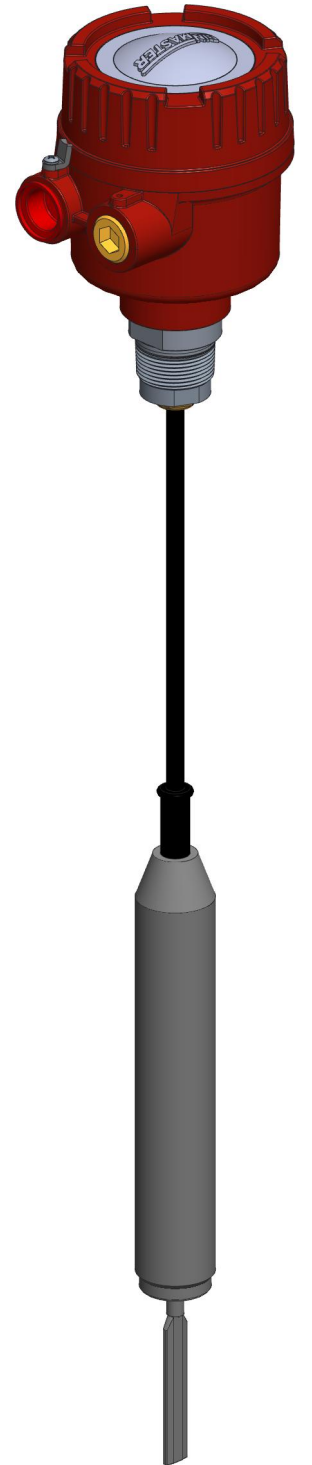
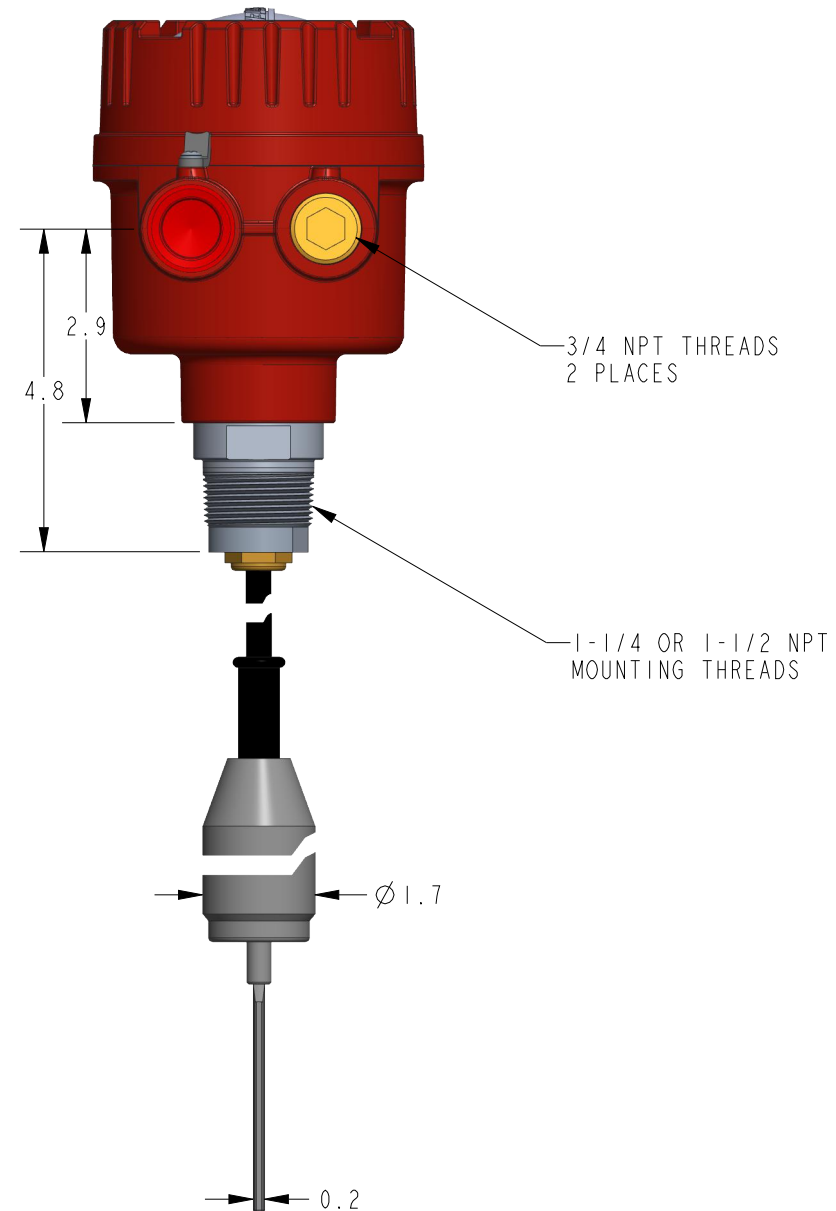
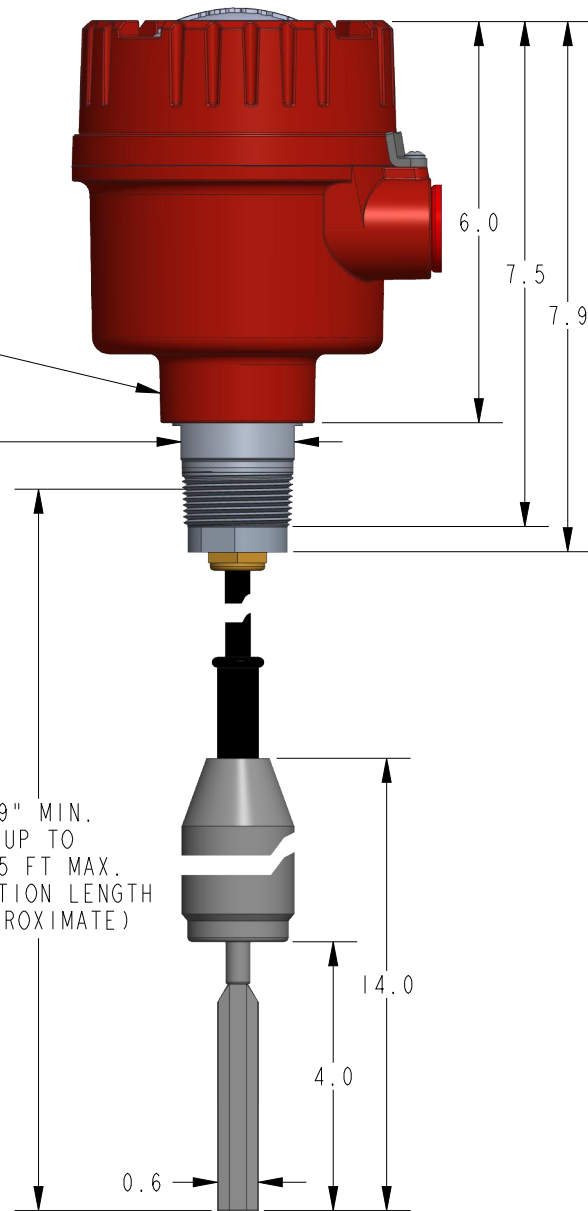


NOTE: UP TO 19-1/2 FEET & REMOTE ELECTRONICS ARE ALSO AVAILABLE

ENCLOSURE BODY ROTATES 270° INDEPENDENTLY FROM VIBRATING ROD ALLOWING CONDUIT ENTRIES TO BE POSITIONED PROPERLY PER APPLICATION

1-11/16 WRENCH FLATS

19" MIN. UP TO 19.5 FT MAX. INSERTION LENGTH (APPROXIMATE)

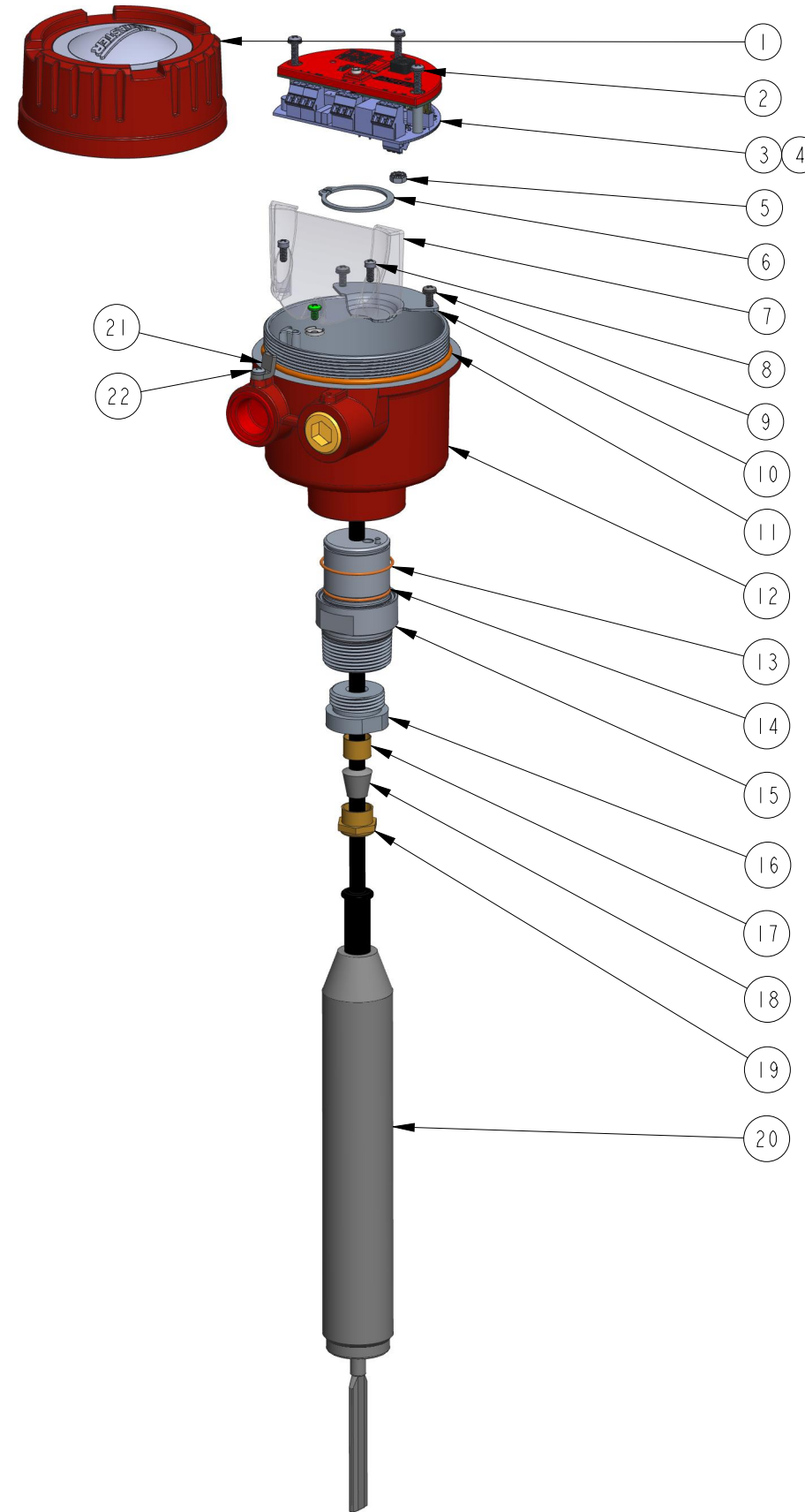


This drawing is the property of Garner Industries. It is issued in confidence on the condition that it is to be returned on request and that it is not to be copied or reproduced in any way, or used in the manufacture of the subject matter thereof without the written consent of Garner Industries.

DIMENSIONS ARE IN INCHES UNLESS NOTED OTHERWISE



Division of Garner Industries / 7201 North 98th Street / Lincoln, NE 68507
(402) 434-9102 / fax (402) 434-9144 \ www.binmaster.com



Replacement Parts List

ITEM	PART No.	DESCRIPTION	QTY.
1	416-0816-R	ASSY, LIGHT RING LID	1
1	220-0480-R	ENCLOSURE, PAINTED CAP, BMRX-X00	1
2	110-0145	SCREW, PANHD 8-32 X 1-1/4 PHIL. SS. SEMS3	3
3	530-0952-R	PCB ASSEMBLY 110-230VAC VRX STD/SED	1
3	530-0953-R	PCB ASSEMBLY 24VDC VRX STD/SED	1
4	416-0832-R	VRX LIGHT RING PCB COVER SUB-ASSEMBLY	1
5	140-0020	NUT, HEX KEPS 8-32 STNLS STL	1
6	165-0040	RING, EXTERNAL RET 1-9/16 SHAFT DIA. SS	1
7	299-0978	DIVIDER, ENCLOSURE WIRE GUIDE	1
8	110-0146	SCR, FILLISTER HD 8-32 X 3/8 PHIL. SS	2
9	110-0143	SCR, PANHD 8-32 X 3/8 PHIL. SS. SEMS	2
10	270-0765	PLATE, ROTATIONAL STOP	1
11	203-0080	O'RING, .139 CORD X 4.234 I.D. , SILICONE, #244	1
12	220-0482-R	ENCLOSURE, PAINTED BODY, BMRX-X00	1
13	203-0089	O'RING, .070 CORD, 1.614 ID X 1.754 OD, SILICONE, #030	1
14	203-0088	O'RING, .070 CORD, 1.364 ID X 1.504 OD, SILICONE, #028	1
15	175-0312	COUPLING, 1-1/2" NPT VRX-51 PROCESS FITTING, AL	1
16	175-0225	ADAPTOR, STRAIN RELIEF, VR-51 SOCKET	1
17	338-0132	STRAIN RELIEF, BRASS CONE, VR-51	1
18	338-0131	STRAIN RELIEF, CONICAL SEAL, VR-51	1
19	338-0130	STRAIN RELIEF, PLT. BRASS NUT, VR-51	1
20	530-0661-R	VR-51, VIBRATING ROD PROBE	1
21	299-0679	TAB, LOCKING, ENCLOSURE	1
22	110-0013	SCREW, PANHD 8-32X5/16 PHIL. SS	1