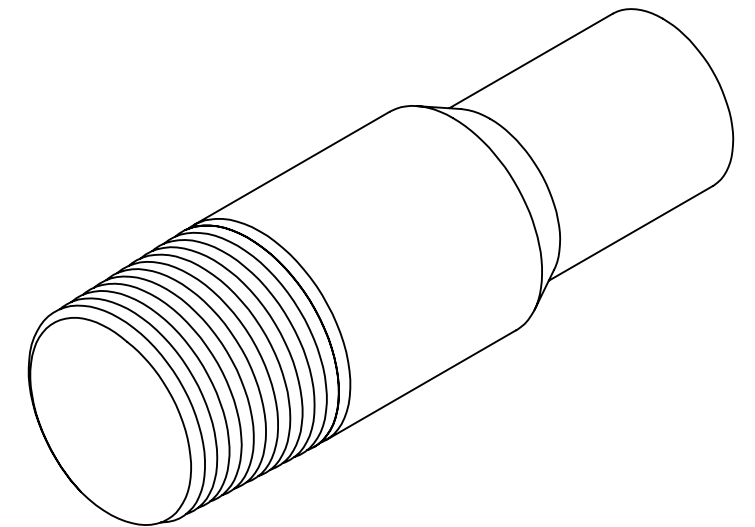
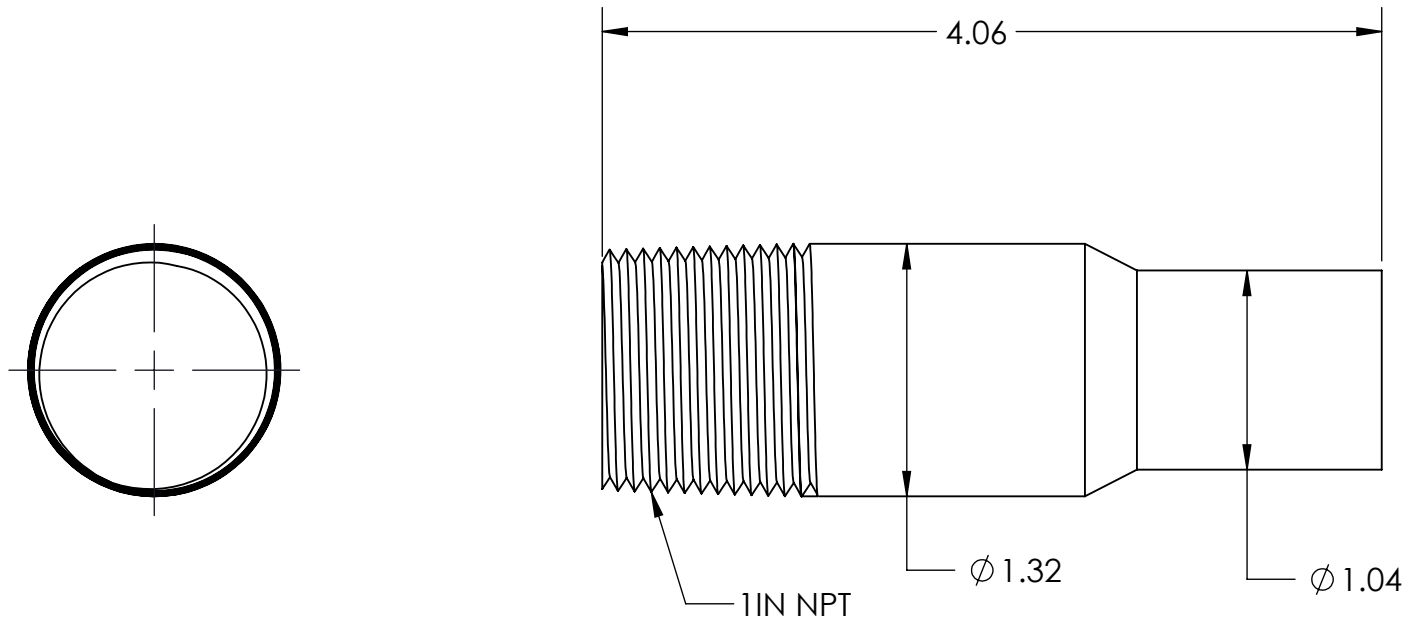


This drawing is the property of Garner Industries.
It is issued in confidence on the condition that it
is to be returned on request and that it is not to
be copied or reproduced in any way, or used in the
manufacture of the subject matter thereof without
the written consent of Garner Industries.

DIMENSIONS ARE IN INCHES UNLESS NOTED OTHERWISE



Division of Garner Industries / 2021 Transformation Dr, Suite 2230
Lincoln, NE 68508 / (402) 434-9102 \ www.binmaster.com



TITLE: TOUGHSONIC 3 1IN NPT

Model No.:

P/N: TS-100.03B_

DWG No.: 418-0318

MATERIAL:

REVISION
-

SHEET
1 of 1